



Replacement Elements: Measuring Guide

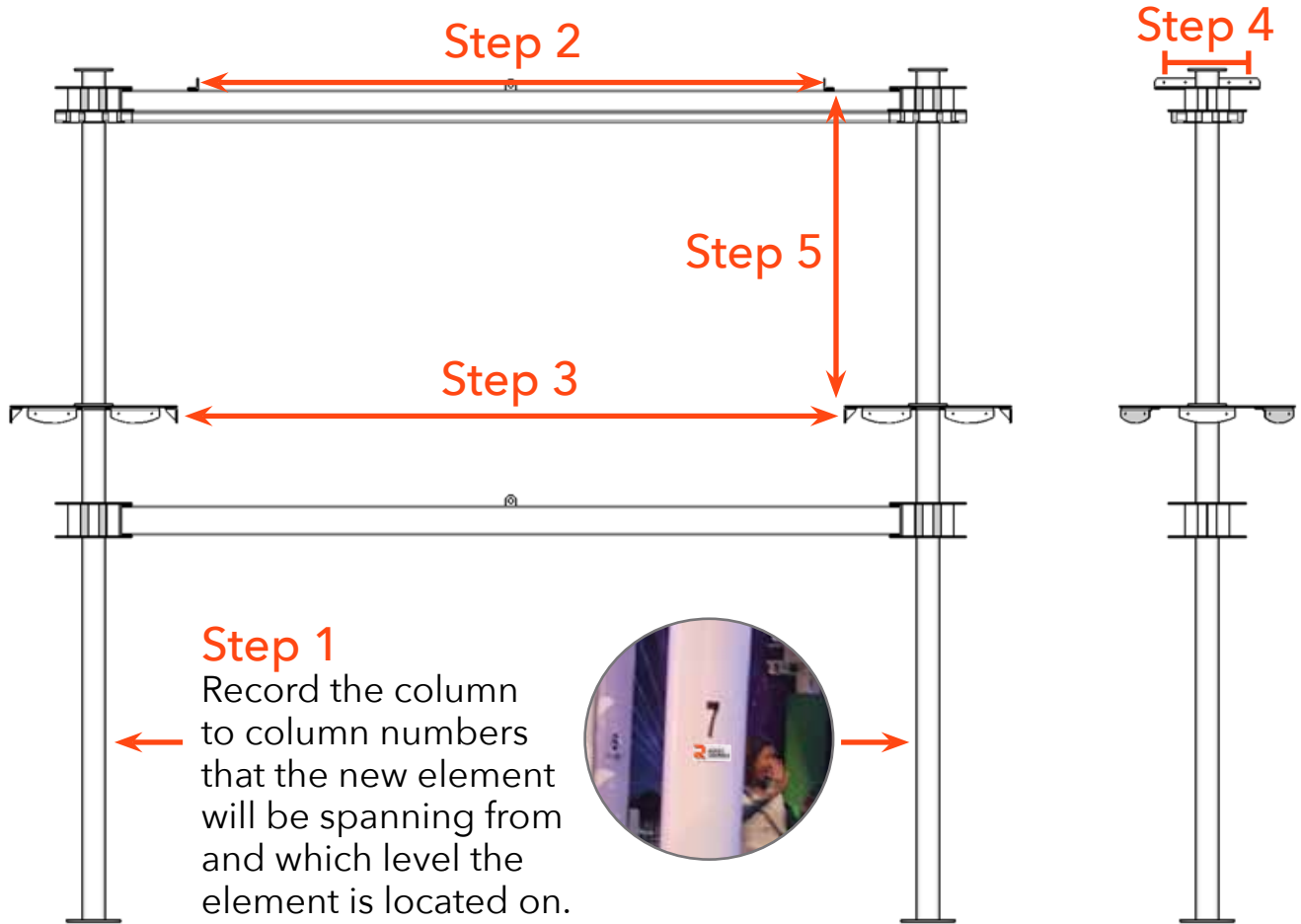
The structure of your aerial attraction is flexible, to ensure the fit of your replacement element, follow the measurement steps provided in this packet and record measurements as instructed. Be sure to be harnessed and hooked into your aerial attraction when taking measurements.

When complete, scan and email the measurement checklist page to:
aftermarket@ropescoursesinc.com



Measuring Steps Preview

Find the measurement checklist provided in the back of this packet and record the measurements from each step. Detailed instructions for each step will follow. Note that your aerial attraction may appear different than the course images illustrated, but the measuring method still remains the same. *Tip: This process goes much quicker with the use of a laser measuring device.*



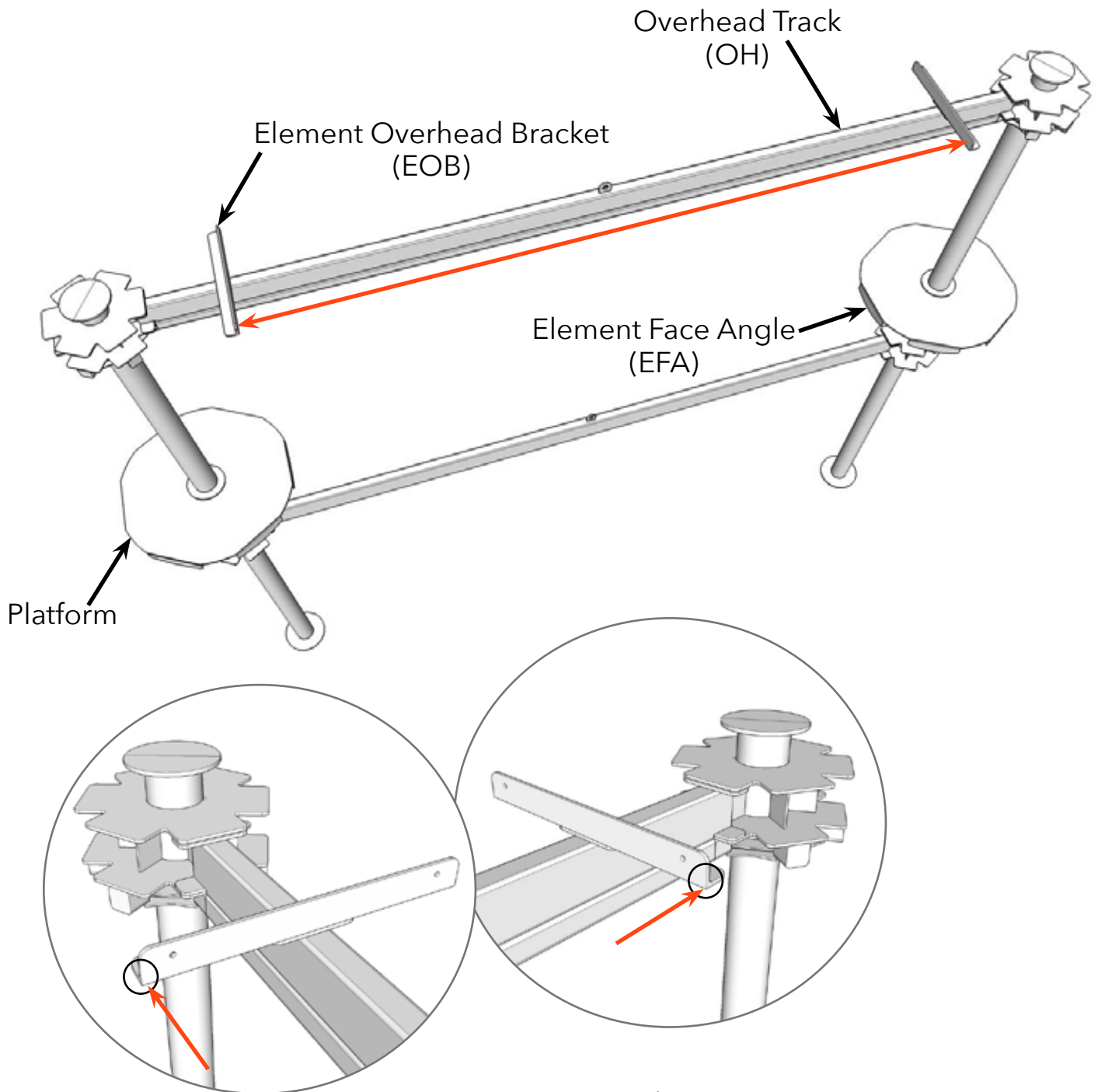
Find the attachment style below that applies to your aerial attraction and circle it on the Measurement Checklist

Angle	Tube*	Cup*	Lug*
	 *Measure width of tube and record.	 *Measure and record hole diameter and distance between holes.	 *Measure and record hole diameter and distance between holes.

These element attachment points are found on both the platforms and the beam overhead. Note that your attachment style may not match the platform it is illustrated with.

Step 2: EOB Face to Face Measurement

Measure from EOB face to opposite EOB face.

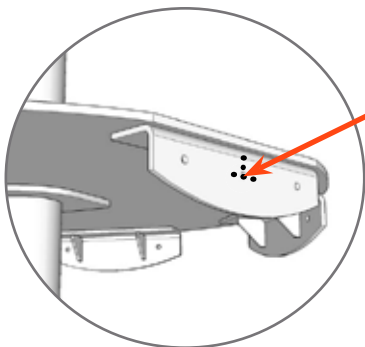
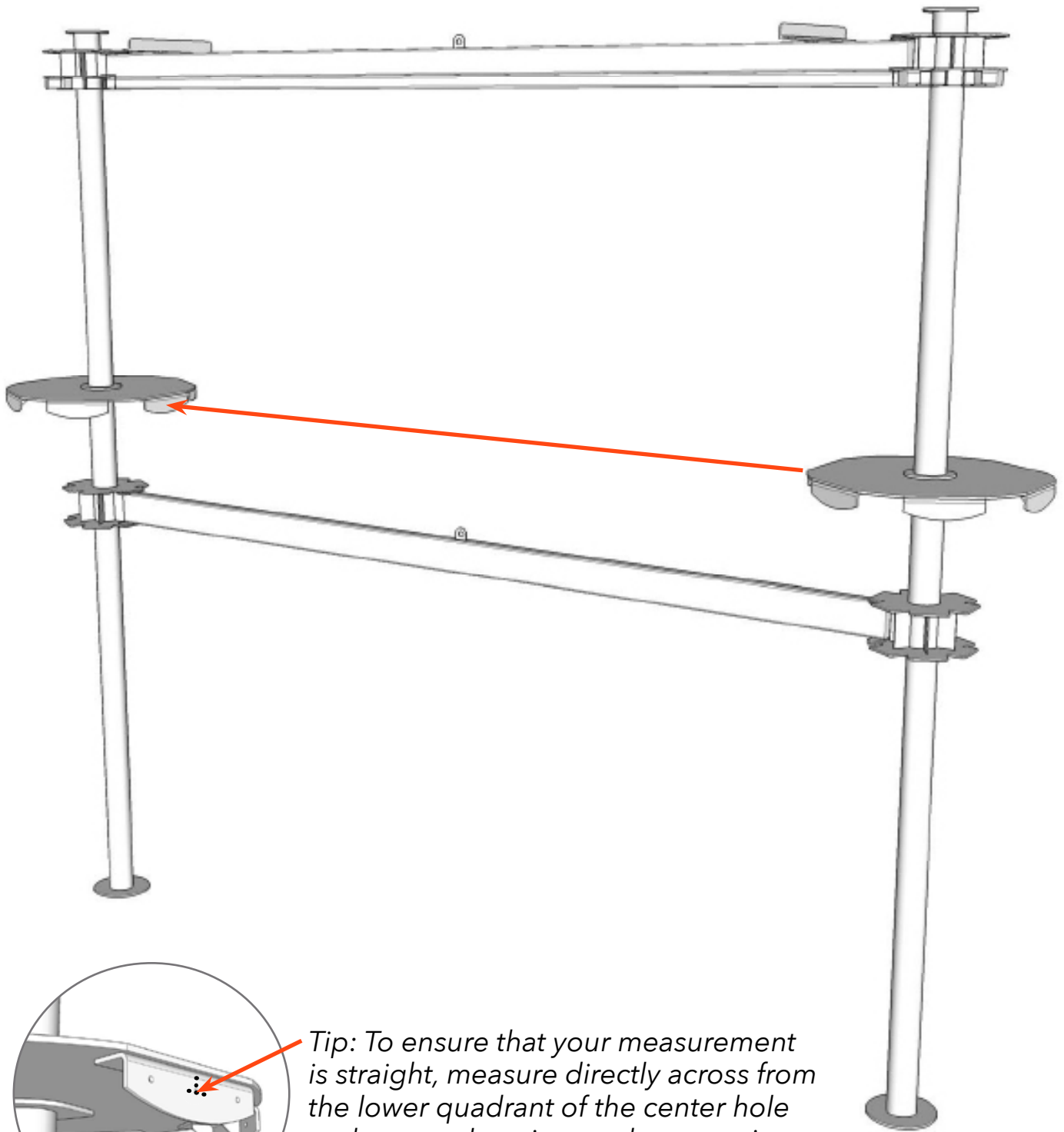


Tip: To ensure that your measurement is straight, measure directly across to a similar point on the opposite EOB and be sure to pull the tape measure tight, or use a laser measure.

Suggestion: Use the lower corner of the EOB as your starting point.

Step 3: EFA Face to Face Measurement

Measure from element face angle to opposite element face angle.

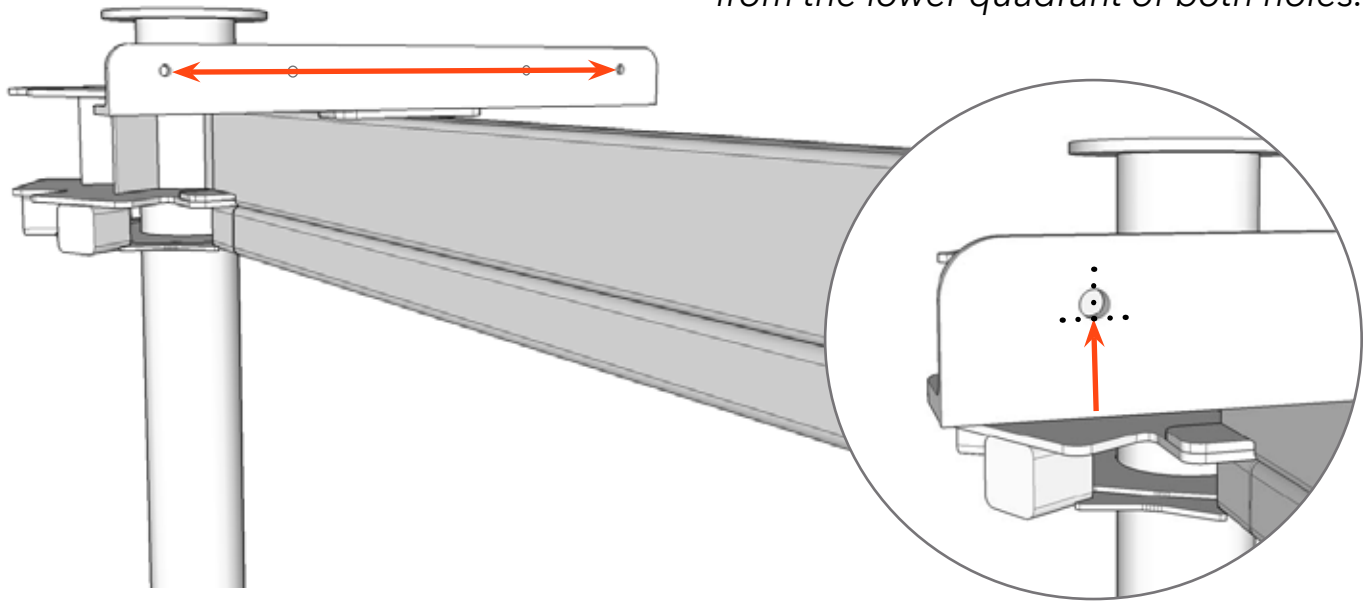


Tip: To ensure that your measurement is straight, measure directly across from the lower quadrant of the center hole to the same location on the opposite platform and be sure to pull the tape measure tight, or use a laser measure.

Step 4: EOB Hole Measurement

Measure the EOB's outer hole center to opposite outer hole center.

Tip: to ensure that your horizontal measurement is accurate, measure from the lower quadrant of both holes.



Step 5: EFA to EOB Vertical Measurement

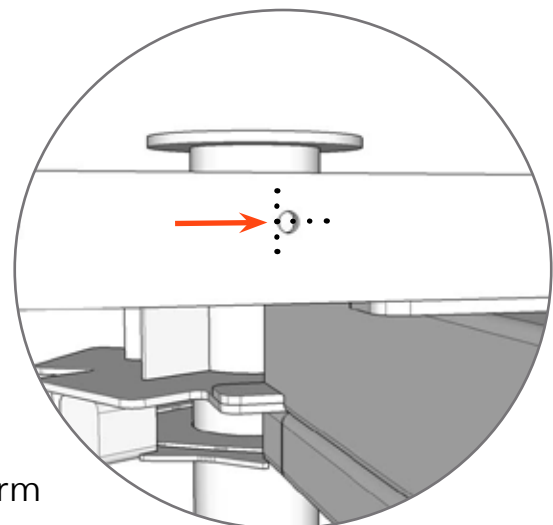
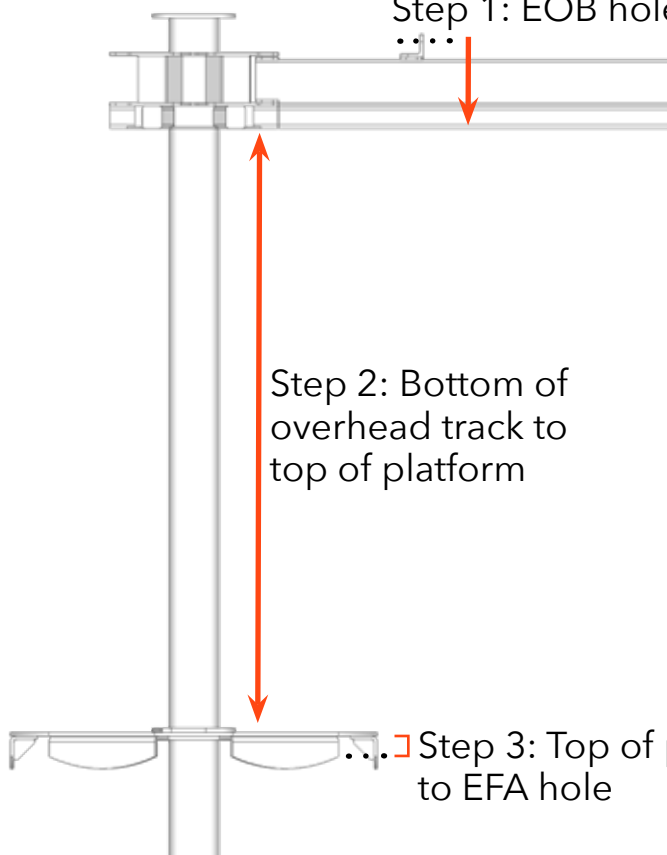
Measure from the outer face angle hole to the inner EOB hole.

Step 1: EOB hole to bottom of overhead

Tip: Follow the 3 steps illustrated. RCI asks that you measure from the outside quadrant of both holes to ensure the fit of your new element.

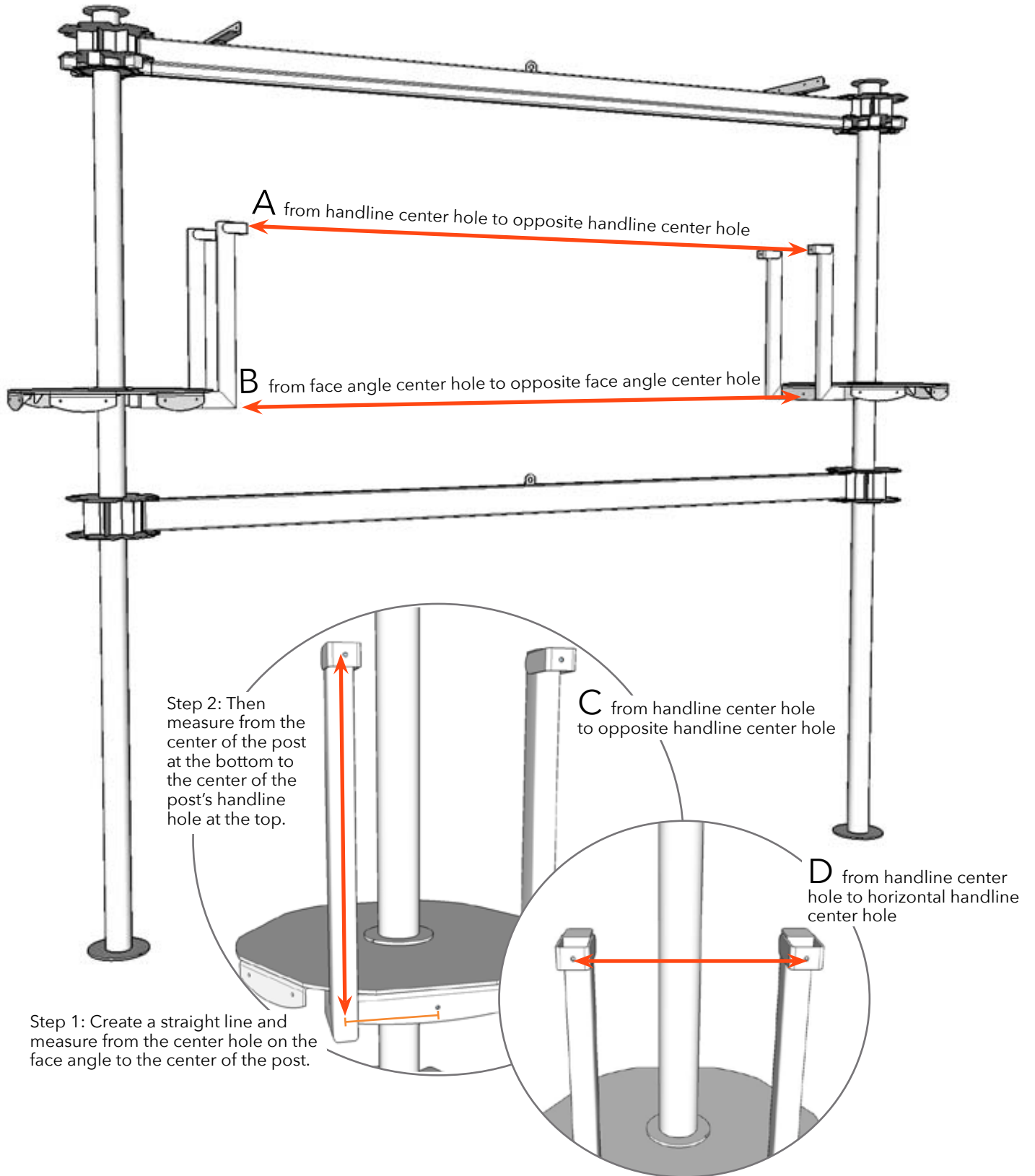
Step 2: Bottom of overhead track to top of platform

Step 3: Top of platform to EFA hole



Short element measurements

In the case that you have a short element with goal posts, (A) measure from handline hole to handline hole, (B) measure from face angle hole to face angle hole, (C) measure from handline hole to face angle hole and (D) measure from handline hole to handline hole side by side.



Measurement Checklist				
Step 1: Column to Column Numbers	#:	#:	Level:	
Circle Attachment Style	Angle:	Tube*	Cup*	Lug*
*If Applicable: Cup or Lug Hole to Hole	Distance Between:		Hole Diameter:	
*If Applicable: Tube Width				
Step 2: EOB Face to Face Measurement				
Step 3: EFA Face to Face Measurement				
Step 4: EOB Hole Measurement				
Step 5: EFA to EOB Vertical Measurement	1:	2:	3:	
*If Applicable: Short Element Measurements	A:	B:	C:	D:

Customer Form	
Site Name	
Element Name	
Element Rope Color	
Element Plumber Color	
Is The Element Next To An Incline?	
Customer Sign Off	

Engineering Measurement Checklist				
Step 1: Column to Column Numbers	#:	#:	Level:	
If Applicable: Cup or Lug Hole to Hole	Angle:	Tube	Cup*	Lug*
*If Applicable: Tube Width	Distance Between:		Hole Diameter:	
Step 2: EOB Face to Face Measurement				
Step 3: EFA Face to Face Measurement				
Step 4: EOB Hole Measurement				
Step 5: EFA to EOB Vertical Measurement	1:	2:	3:	
*If Applicable: Short Element Measurements	A:	B:	C:	D:

Engineering Checklist (For RCI Internal Use Only)	
Has the 3-D Model of the ropes course structure been opened and reviewed?	
Is the element next to an incline?	
If Yes, is the selected element a barrier element?	
Has the customer's measurements been compared with the model dimensions?	
Engineer Sign-Off	